

Main Features

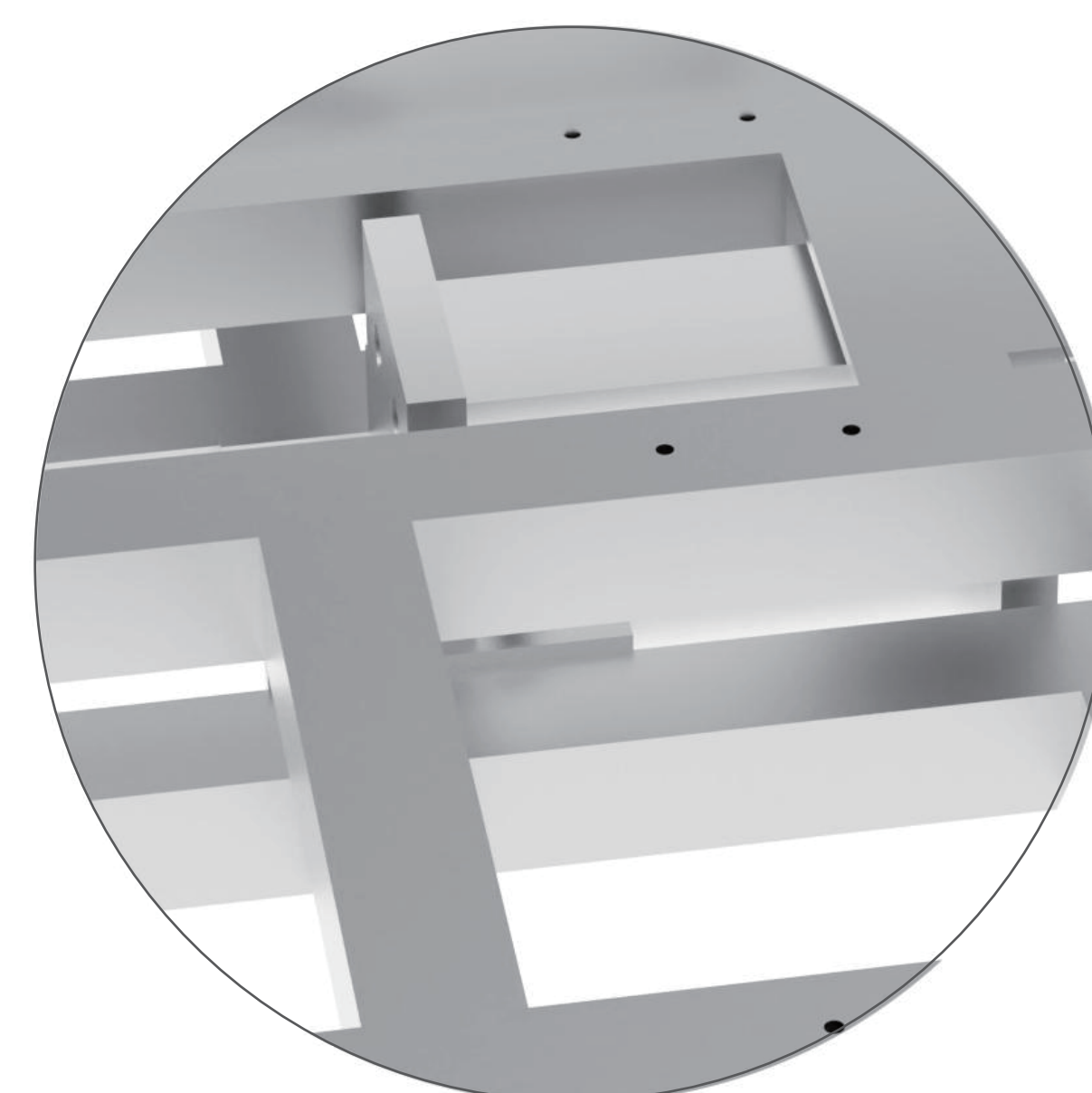
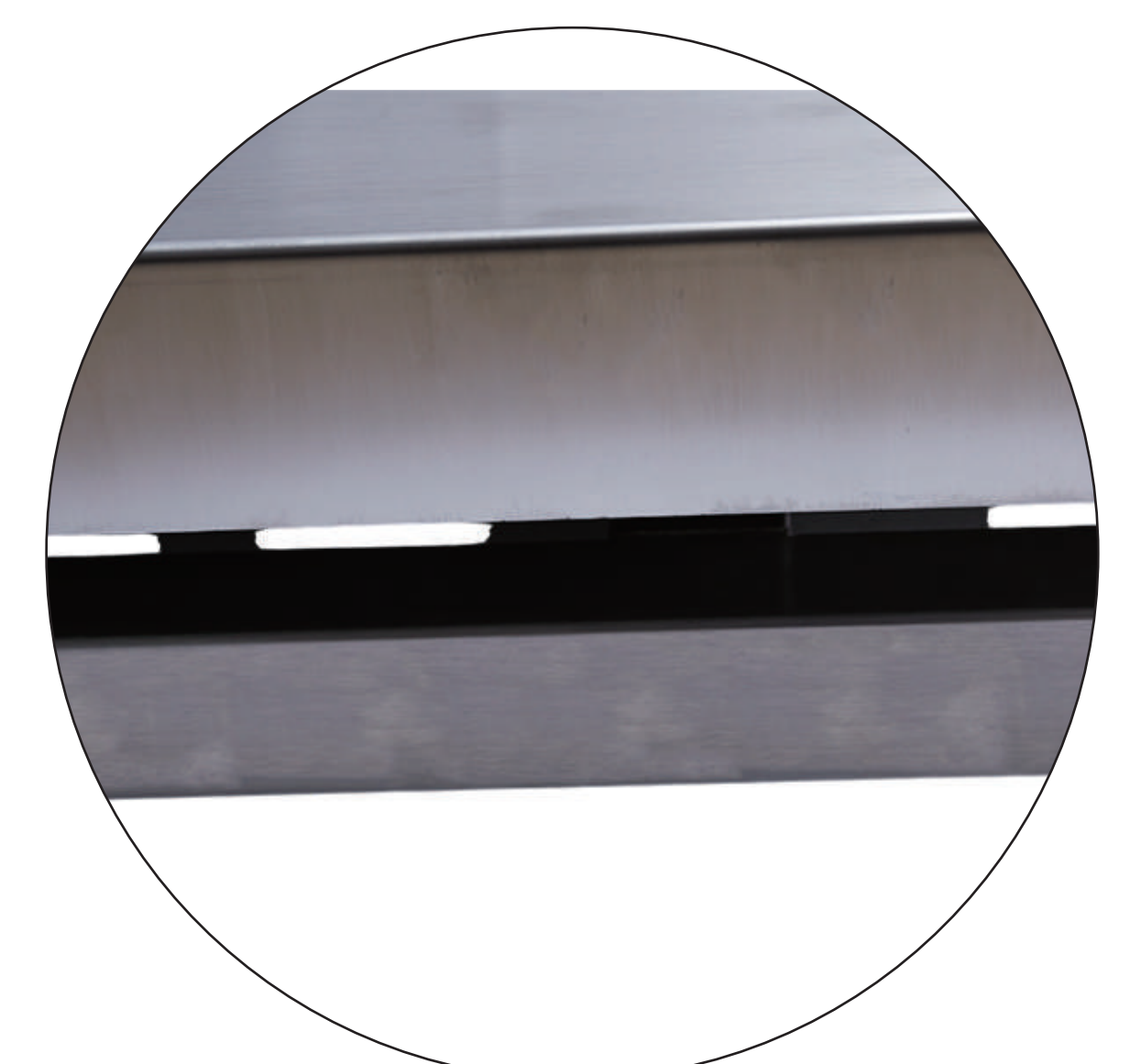
- 304 all-stainless steel body with waterproof and moisture-proof design.
- Stainless steel instrument and sensor with IP68 protection rating.
- LED, LCD, OLED, color screen display, clear and visually pleasing.
- Features upper and lower limit settings, overload, normal load, and underload alarm indications, simple counting function, with multiple function settings and parameter options.
- Supports both AC and DC power supply, can be used normally in areas with low power or during power outages.
- Instrument can be mounted as a desktop separate unit, vertical integrated unit, or wall-mounted.



Material quality



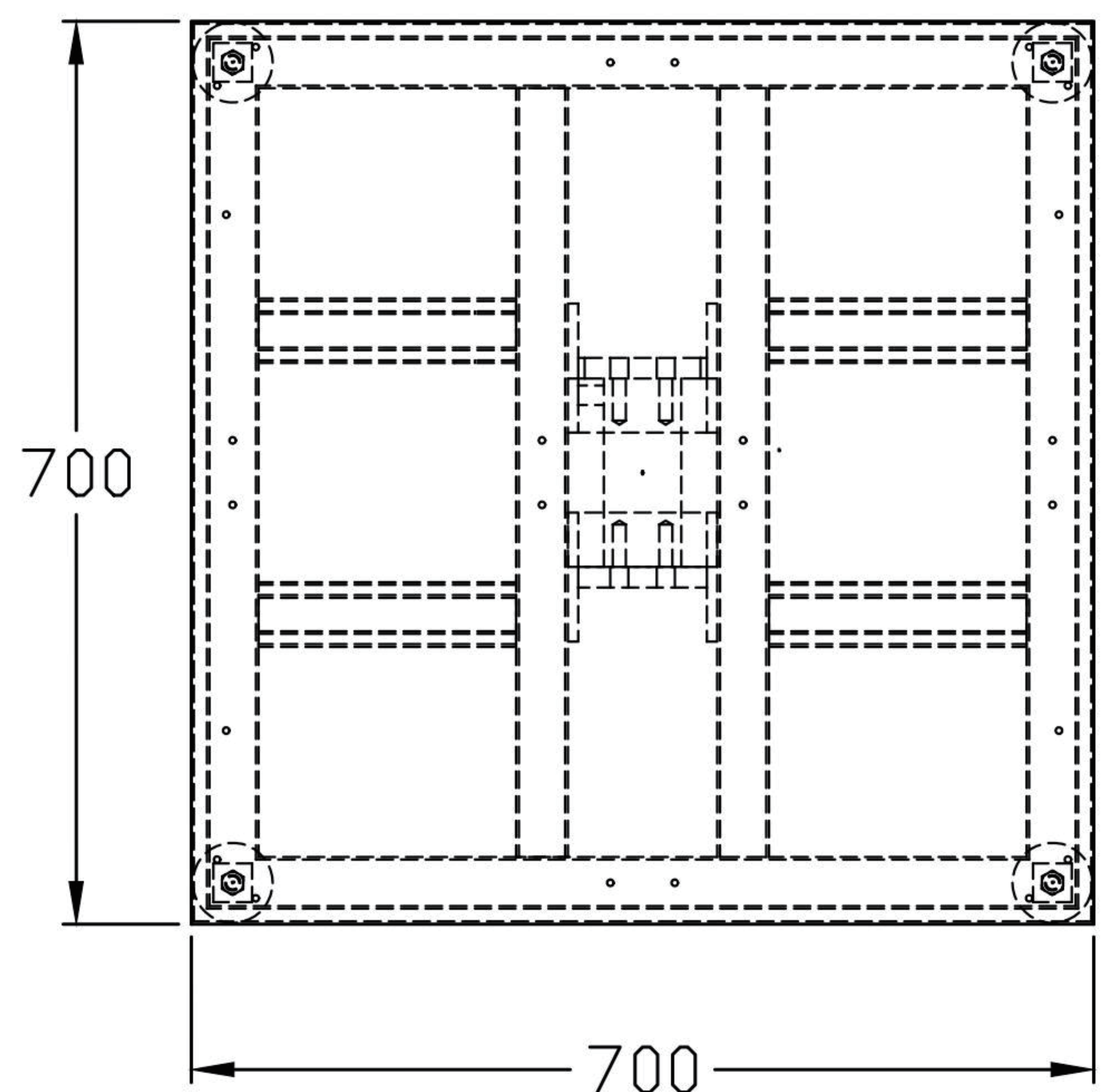
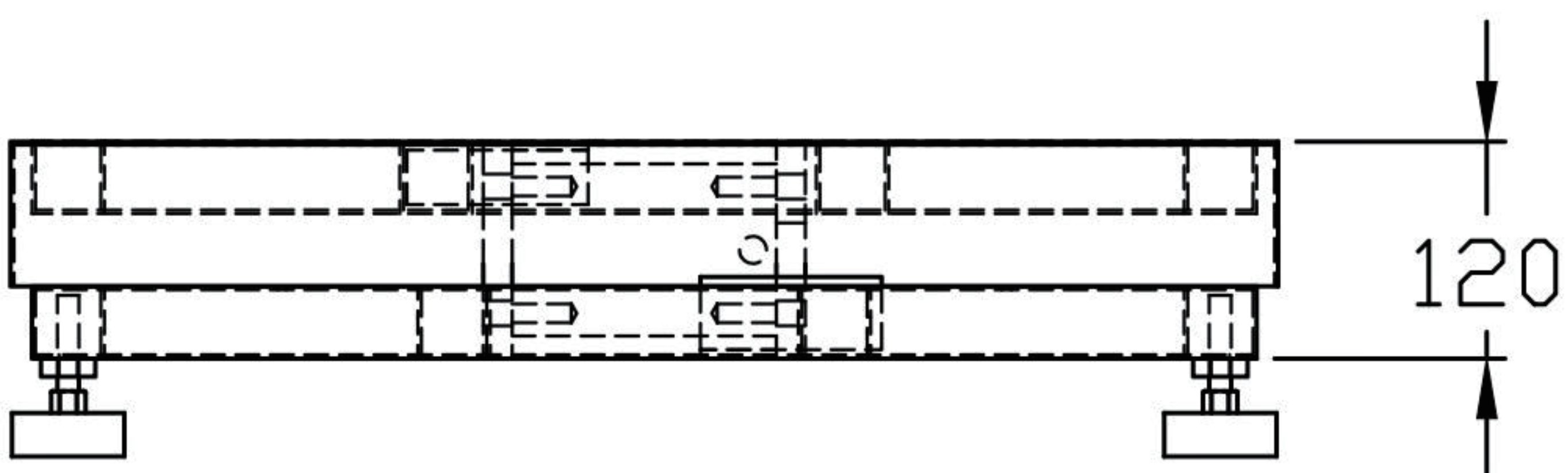
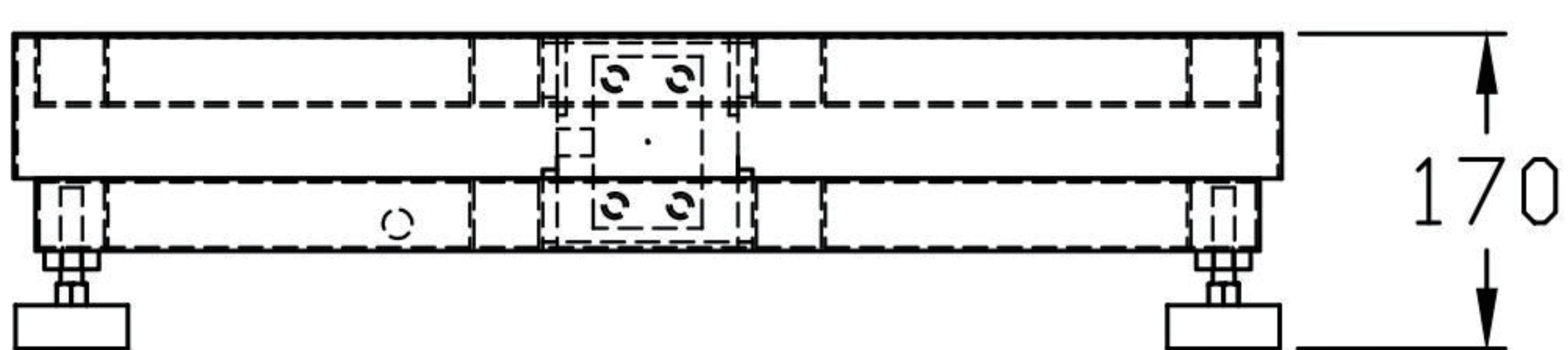
Stainless Steel



Product description

The stainless steel electronic platform scale features a polished brushed surface treatment to ensure smoothness and cleanliness. It is equipped with four welded, sealed high-precision single-shear beam stainless steel load cells and a dust-sealed stainless steel housing intelligent weighing display instrument. The system offers high accuracy, rapid weighing, stable and reliable operation, and is simple and convenient to install and maintain. This platform scale is suitable for material weighing in industries such as chemical engineering (paints, fine chemicals, alkalis, pesticides) that require corrosion resistance, as well as applications in pharmaceuticals, food, and other industries with stringent environmental and hygiene requirements

Dimensions(mm)



Specification

Parameter	Specification			
Platform Material	Stainless Steel Platform			
Surface Panel	Flat panel, checkered panel			
Accuracy Class	III			
Temperature Range	Compensation temperature -10℃ to +40℃ / 14°F to 104°F			
	Operating temperature -20℃ to +65℃			
Waterproof Rating	IP68			
Signal Cable	Polyurethane 5m / 10m / 20m			
Operating Voltage	AC 110/220V 50/60Hz or DC 4~6V 4Ah			
Interface/Display Screen	LED, LCD, OLED, color screen			
Overload Protection	200%			
Load Cell	B513(S), B550SD, IP68			
Instrument Interface (Optional)	USB/Ethernet/RS485/RS232			
Power Supply Type	AC model/Battery model			
Platform Interface	Digital, Analog/Wireless			
Maximum Capacity (kg)	1000	2000	3000	4000
Size(m)	1.0*1.0	1.0*1.0	1.0*1.0	1.0*1.0
	1.2*1.2	1.2*1.2	1.2*1.2	1.2*1.2
	1.2*1.5	1.2*1.5	1.2*1.5	1.2*1.5
	1.5*1.5	1.5*1.5	1.5*1.5	1.5*1.5
	1.5*2.0	1.5*2.0	1.5*2.0	1.5*2.0
	1.5*3.0	1.5*3.0	1.5*3.0	1.5*3.0
	2.0*2.0	2.0*2.0	2.0*2.0	2.0*2.0
Platform Height (H)	160mm			
Verification Division Value	0.2kg	0.5kg	1kg	1kg

NOTE: Customization Available.