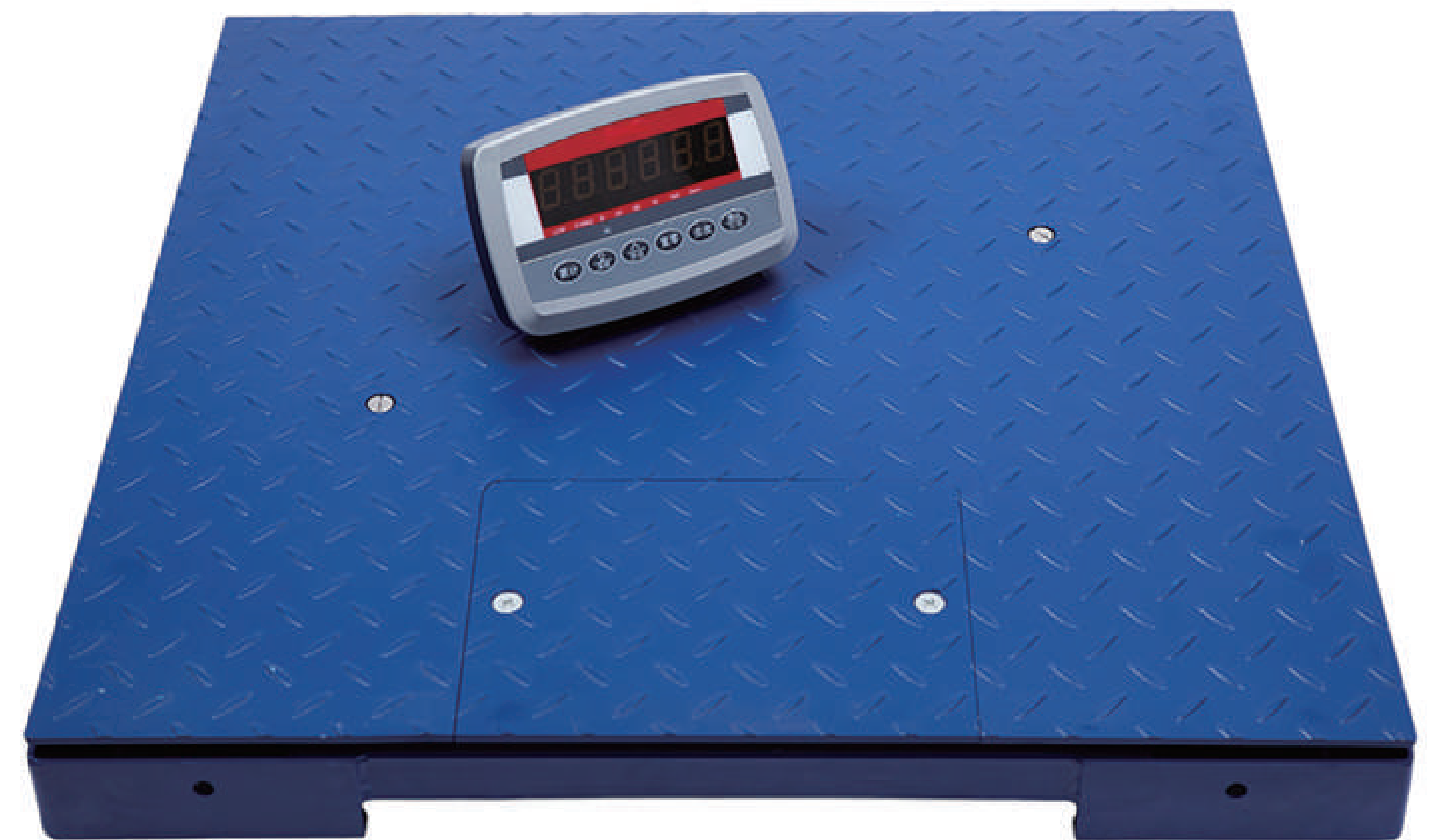
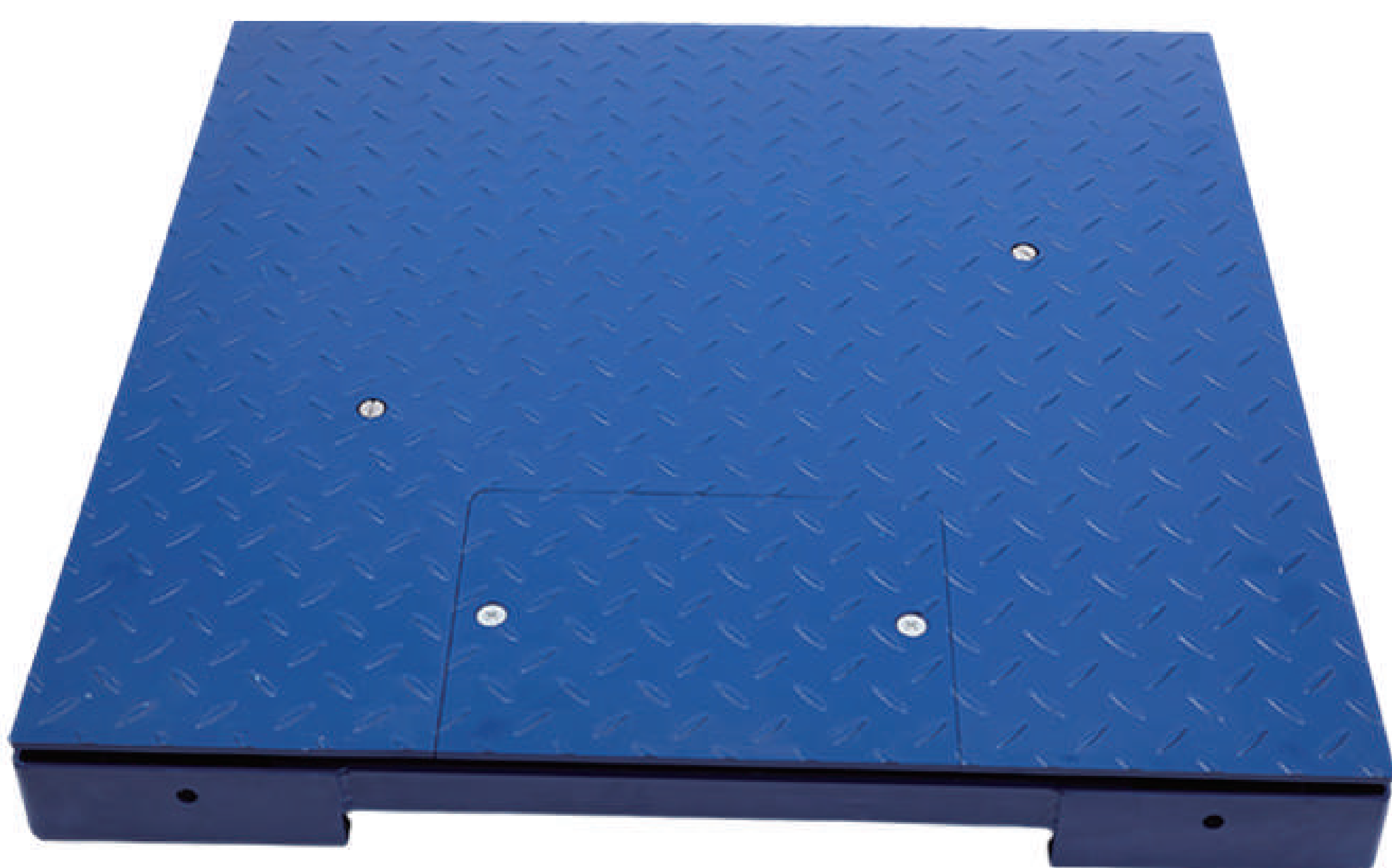


Main Features

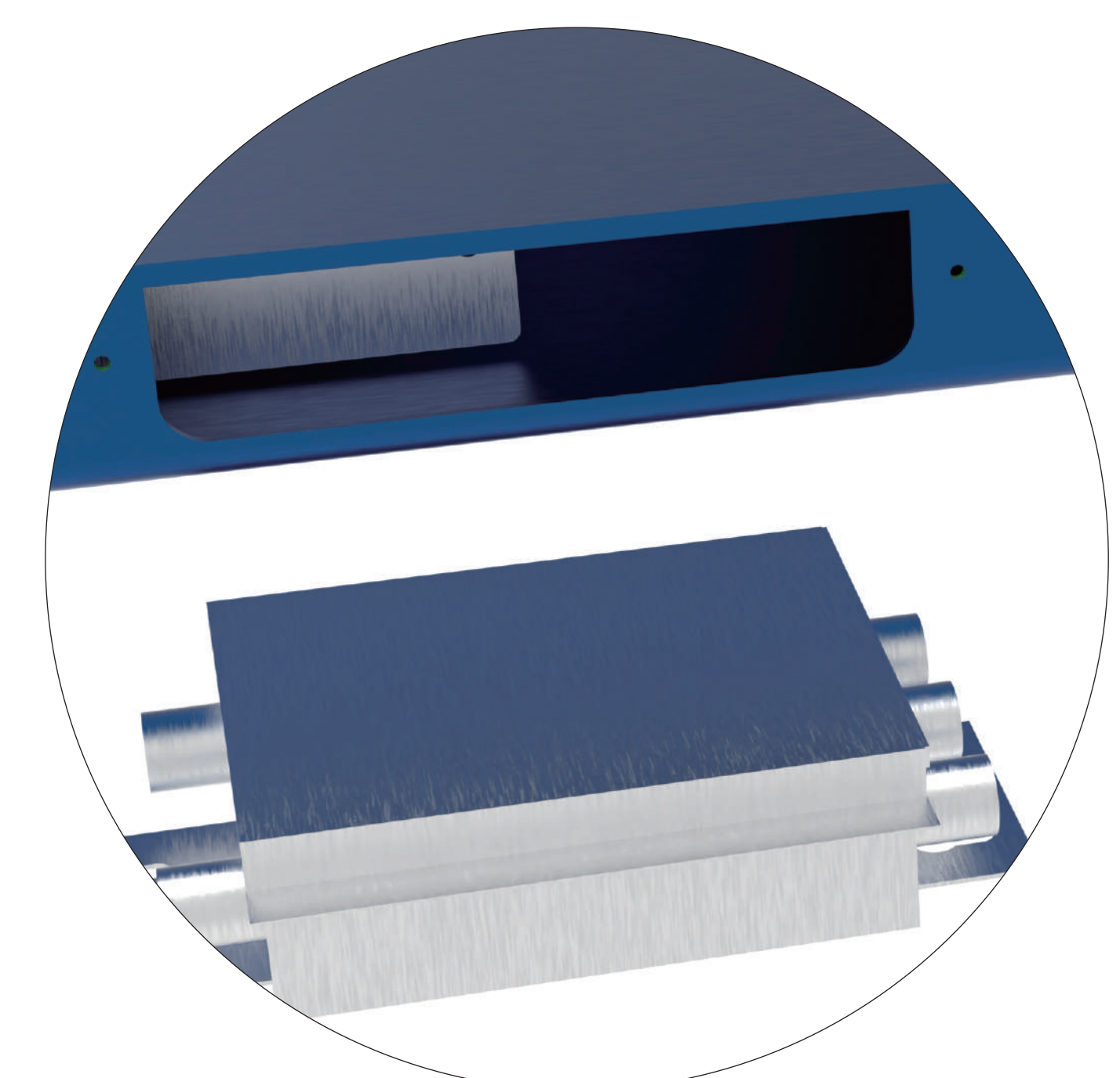
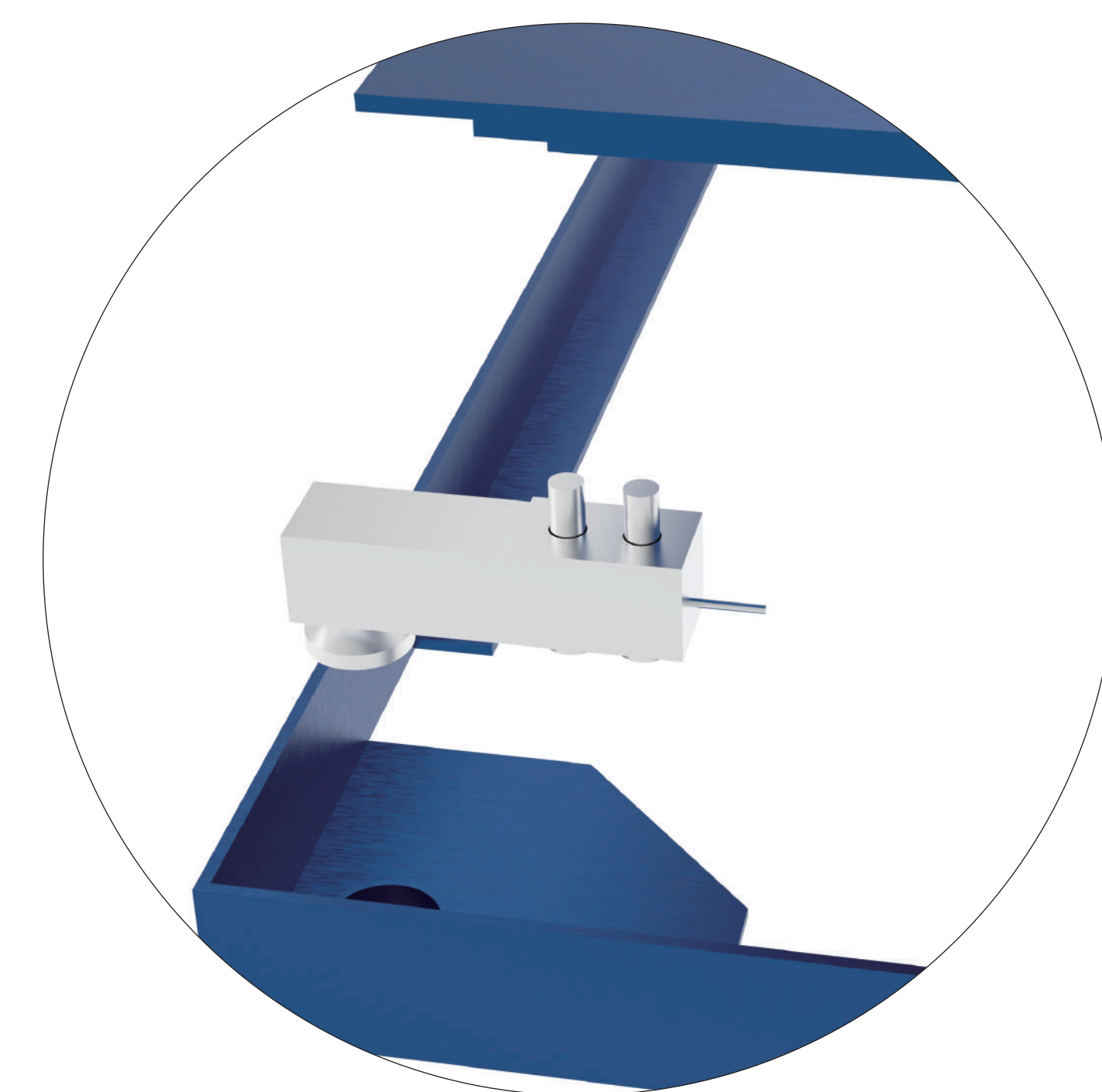
- Fast transportation, no need for a crane, easy installation.
- Automatic reset of the weighing body, no need for secondary operations.
- High stability and accuracy in weighing.
- Adjustable spherical and cup-shaped leveling feet.



Material quality



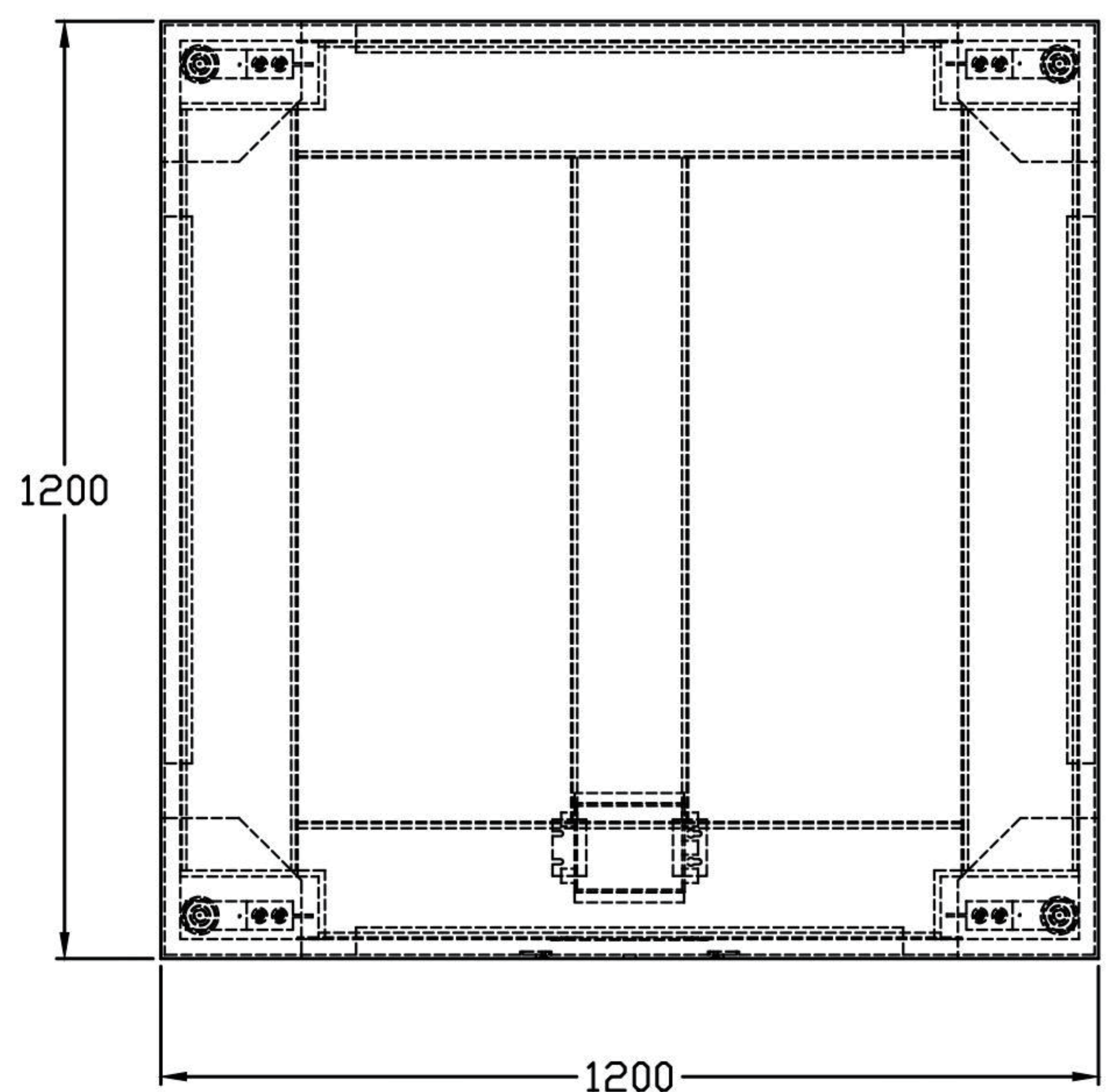
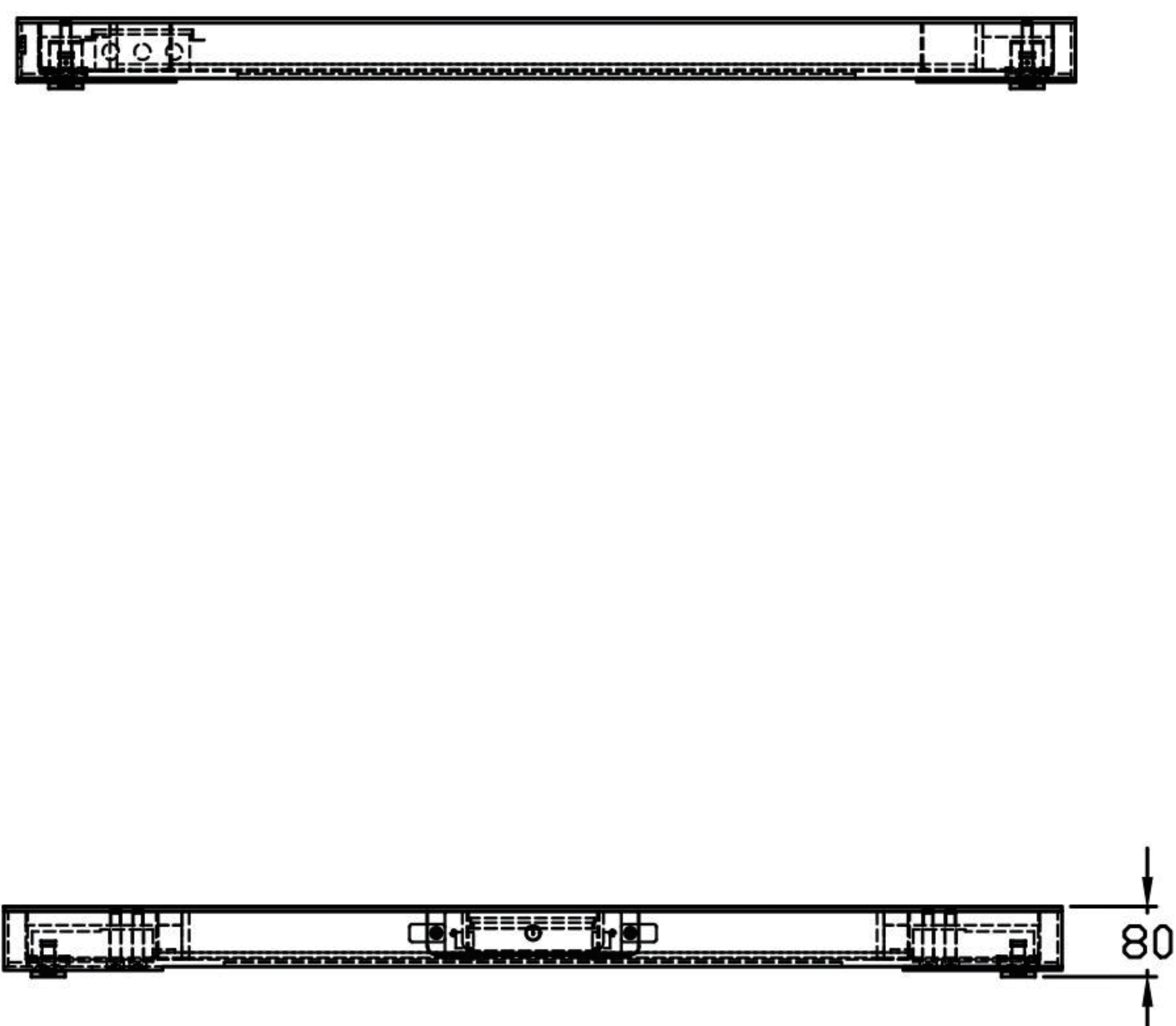
carbon steel



Product description

The newly designed double-layer frame from Microtess features carbon steel with a plastic spraying treatment and patterned steel surface, offering a variety of platform sizes and weighing capacities. The platform structure is composed of load-bearing parts and beams, equipped with 4 high-precision, tightly sealed shear beam weighing sensors. It includes a 5-meter dedicated shielded cable and supports high-definition LED, LCD, OLED, and color-coded digital display instruments. This platform scale ensures long-term stability, reliability, and accuracy, and is widely applicable in various industrial environments.

Dimensions(mm)



Specification

Parameter	Specification				
Scale Material	SUS304 Stainless Steel				
Platform Plate	800*800mm ~ 1200*1200mm				
Accuracy Class	III				
Temperature Range	Compensation Temperature -10℃ ~ +40℃				
	Operating Temperature:-20℃ ~ +65℃				
Waterproof Rating	IP67				
Signal Cable	5m / 10m / 20m				
Working Voltage	AC 110/220V 50/60Hz or DC 4~6V 4Ah				
Interface/Display	LED, LCD, OLED, Color Screen				
Overload Protection	150%				
Load Cell	B513(S) / B550SD (Analog/Digital)				
Instrument Interface (Optional)	USB/Ethernet/RS485/RS232				
Power Supply	AC Power / Battery Powery				
Scale Interface	Digital / Analog / Wireless				
Maximum lifting weight (kg)	1000	2000	3000	5000	10000
Size(M)	1.0*1.0	1.0*1.0	1.0*1.0	1.0*1.0	1.0*1.0
	1.2*1.2	1.2*1.2	1.2*1.2	1.2*1.2	1.2*1.2
	1.25*1.25	1.25*1.25	1.25*1.25	1.25*1.25	1.25*1.25
	1.2*1.5	1.2*1.5	1.2*1.5	1.2*1.5	1.2*1.5
	1.5*1.5	1.5*1.5	1.5*1.5	1.5*1.5	1.5*1.5
	1.5*2.0	1.5*2.0	1.5*2.0	1.5*2.0	1.5*2.0
	2.0*2.0	2.0*2.0	2.0*2.0	2.0*2.0	2.0*2.0
Identification graduation value	0.2kg	0.5kg	1kg	1kg	2kg
Height of scale platform from ground (H)	90mm				

NOTE: Customization Available.