

## Main Features:

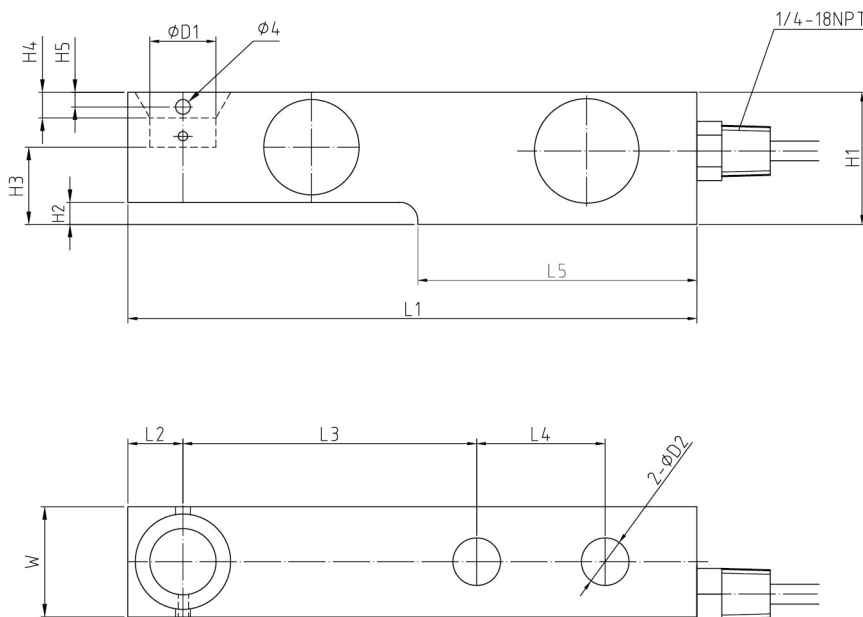
- Material: high-quality stainless steel
- Great long-term stability.
- Rated Capacities: 5KN~100KN
- IP Rating: IP68
- Suitable for platform scales, dosing system and process control in chemical, food, pharmaceutical and other industries.
- High precision by OIML R60 C5, high reliability.
- B760S with 17-4PH material and PEEK strain gauge from HBK.



## Product description:

The B5660, B760S series are typical and high precision, low profile single-ended shear beam available in a wide range of capacities. Full stainless steel construction and complete hermetic sealing ensures reliable accuracy and robustness in harsh industrial applications. The B560S, B760S are the ideal load cell for high precision weighing platforms with bolts by 2pcs through-holes firmly at end, meanwhile the force would be applied from the self-aligning level-pin settled into the blind hole at the other end vertically.

## Dimensions (mm&inch):



Rated Cap.	L1	L2	L3	L4	L5	W	H1	H2	H3	H4	H5	D1	D2
kN/mm													
5-20kN	155	15	80	35	76	30	36	6	21	7	4	18	13
50kN	190	21	105	40	93	43	49	8	28.5	6	8	25	21
100kN	245	30	135	50	120	60	73	12.5	42	10	-	30	27

## B560S B760S Single-Ended Beam Load Cell Specifications

Parameter		Units	Specifications		
Model No.			B560S/ B760S		
Rated capacity (E <sub>max</sub> )		kN	5 / 10 / 20	50	100
		kg	510 / 1020 / 2039	5099	10197
Accuracy class <sup>1)2)</sup>			C3		C5
Min. dead load		kg	0		
Rated output		mV/V	2.0 ± 0.002		
Zero balance		% of E <sub>max</sub>	± 1		
Repeatability error		% of AL <sup>3)</sup>	< ± 0.010	< ± 0.006	
Creep; 30 minute		% of AL	< ± 0.017	< ± 0.010	
Min. dead load output return (DR); 30 min		% of AL	< ± 0.017	< ± 0.010	
Temp. effect on	Min. dead load output	% of E <sub>max</sub> /°C	< ± 0.0020	< ± 0.0014	
	Rated output <sup>2)</sup>	% of AL/°C	< ± 0.0012	< ± 0.0007	
Temperature range	Compensated	°C(°F)	-10 to +40 [+14 to +104]		
	Operating		-40 to +65 [-40 to +149]		
	Safe storage		-40 to +80 [-40 to +176]		
Excitation voltage	Recommended	V AC/DC	5 ~ 15		
	Maximum		15		
Terminal resistance	Excitation	Ω	1100 ± 15		
	Output		1000 ± 3		
Insulation resistance @50VDC		MΩ	> 5000		
Breakdown voltage		V AC	> 500		
Seal type / IP rating			Hermetically welded / IP68 IP69k		
Load limit	Safe	% of E <sub>max</sub>	150		
	Ultimate		300		
Material	Spring element		Stainless steel [ B760S: 17-4PH ]		
	Strain gauge		PEEK [ B760S: HBK SG ]		
	Cable		Φ5.6; 4-wire; PVC [ B760S: PU ]		
Cable length		m	10.0		
Weight; approx		kN	5-20kN	50kN	100kN
			1.4	2.9	7.1
Fatigue life		cycles @E <sub>max</sub>	> 1,000,000		
Deflection at E <sub>max</sub> ; approx		mm	< 0.5		
Barometric pressure effect on Zero Output		Vmin/kPa	< 1.0		
Mounting screw	Size/Grade		M12 / A2-70	M20 / A2-70	M24 / A2-70
	Recommended torque	N.m	98	275	400

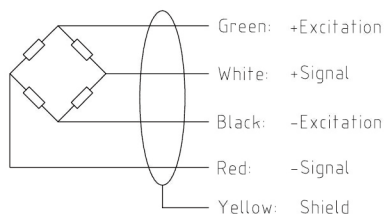
### Notes:

<sup>1)</sup> Error due to the combined effect of non-linearity and hysteresis

<sup>2)</sup> The sum of errors due to Temperature Effect on Output comply with the requirements of OIML R60 and NIST HB44

<sup>3)</sup> AL = Applied Load

Cable Colour Code: (4-wire circuit)



Shield connected to load cell body

### Interchangeable Products:

Manufacturer	Model
Flintec	SB4